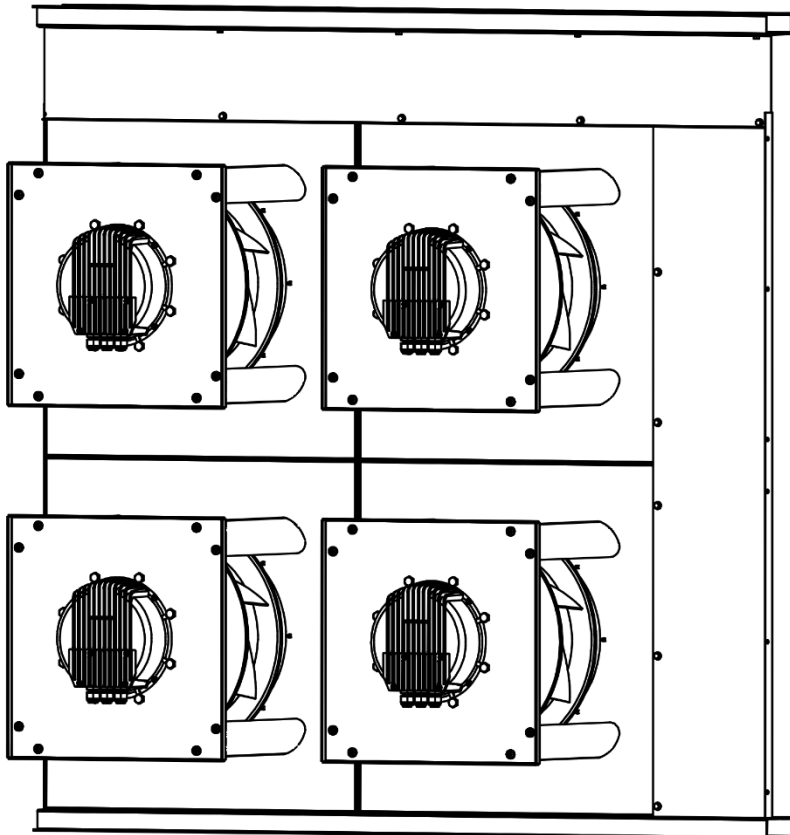


EC FanGrid Retrofit



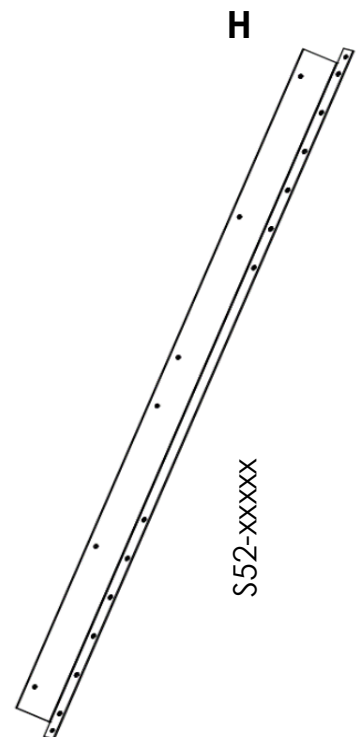
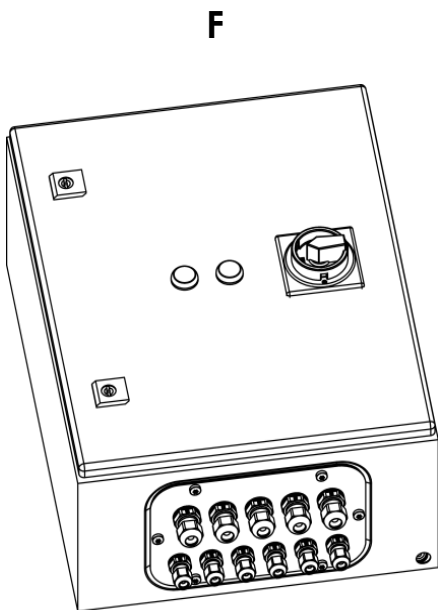
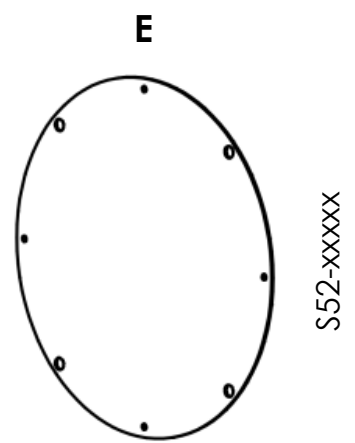
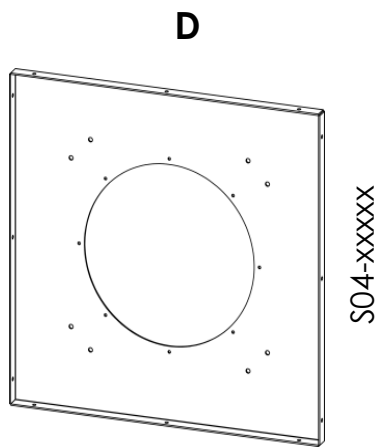
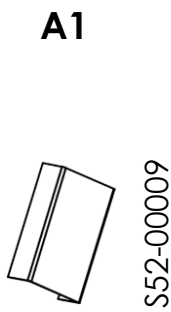
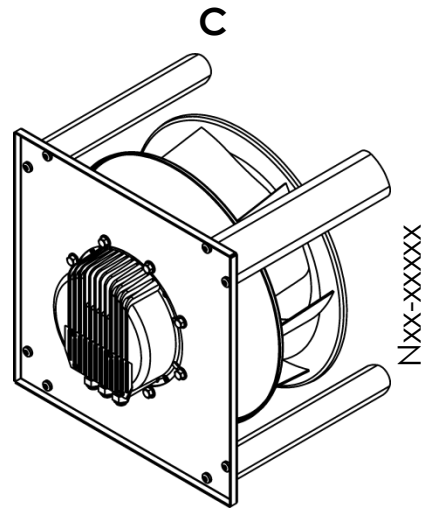
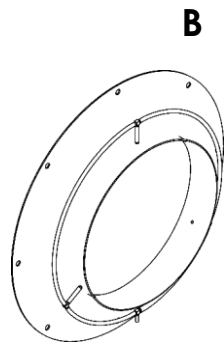
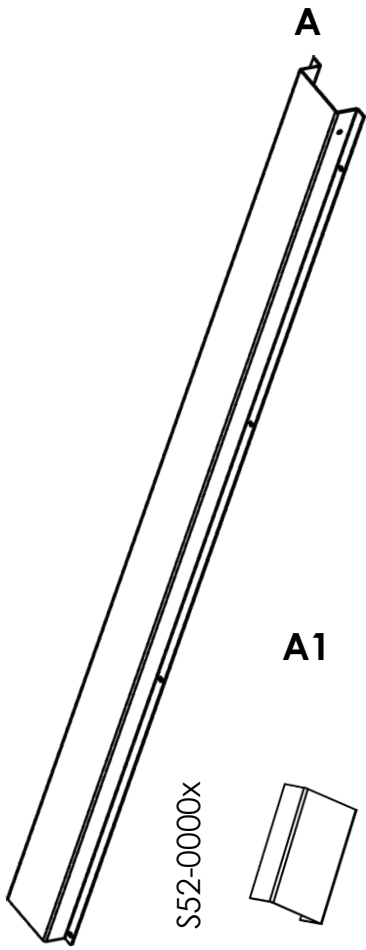
Exemplary Assembly Instructions for 4 Fans
Exemplarische Montageanleitung für 4 Ventilatoren

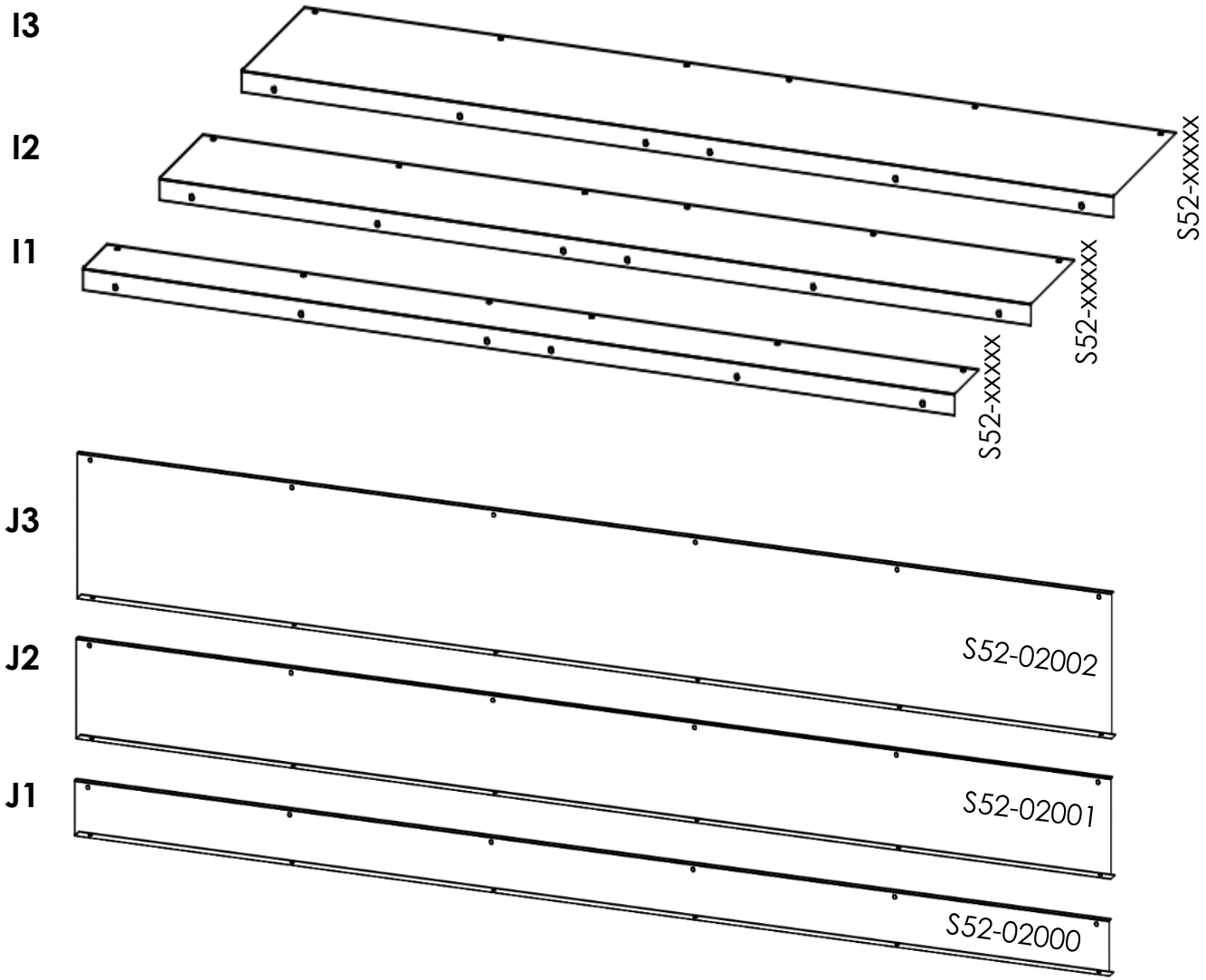


Exemplary Assembly video for 4 Fans
Exemplarisches Montagevideo für 4 Ventilatoren

Bill Of Material

Stückliste

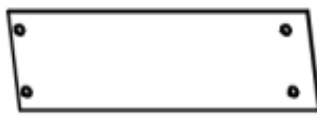




J31

J21

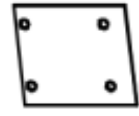
J11



S52-02012



S52-02011



S52-02010

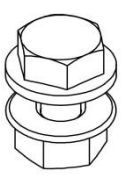
L



M8x16

TAO-90401
TAO-10309

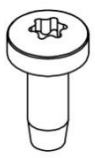
M



M6x20

TAO-90303
TAO-90310

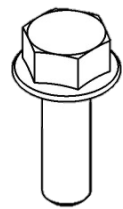
N



M6x16

TAO-44302

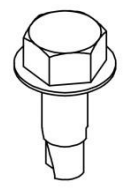
O



M8x25

TAO-44402

P



6,3x25
[20 Nm]

TAO-90312

Q



KSK009-0001N

R



KSK007-0001N

S



KSK053-0012G

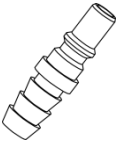
Installation Kit

for 5 Fans S52-90015/ -17

Montagekit

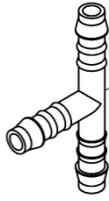
für 5 Ventilatoren S52-90015/ -17

T1



GRVS-0406

T2



TSVS-004L055

T3



6 mm

MSS000-6084N

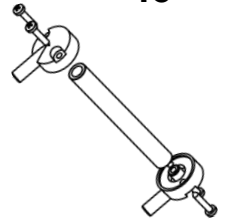
T4



4 mm

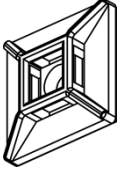
MSS000-4060N

T5



MSS000-0001C

T6



T00-00032

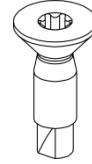
T7



3,5 x 145

W21-00016

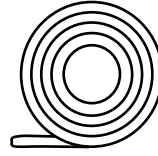
T8



3,9 x 13

T00-00045

U1



20 x 5 mm

GDR000-0520N

V1



TE1-00056
4G 1,5 mm²
TE1-00057
4G 2,5 mm²

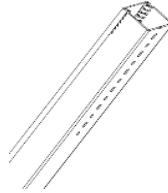
V2



12 x 0,25 mm²

STL010-0026N

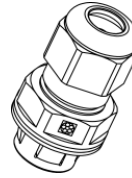
V3



40 x 60

U52-00054

V4



M16

TA7-16071

V5

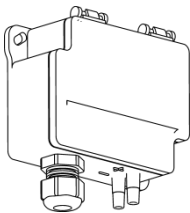


2,5 x 100

W21-00049

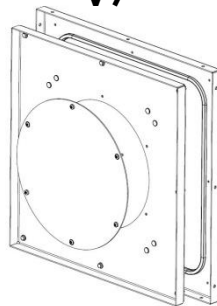
Optional

V6



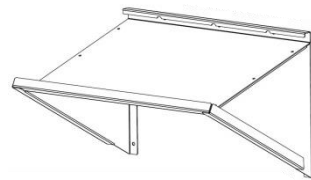
H40-97000

V7



S52-0xxx8

V8



FGxxWXX-A

Sensor Tools



4



Optional

Werkzeuge

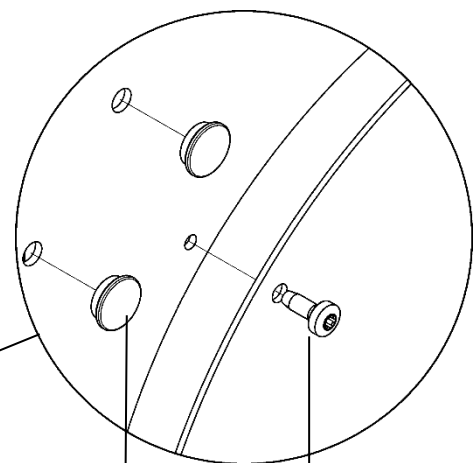
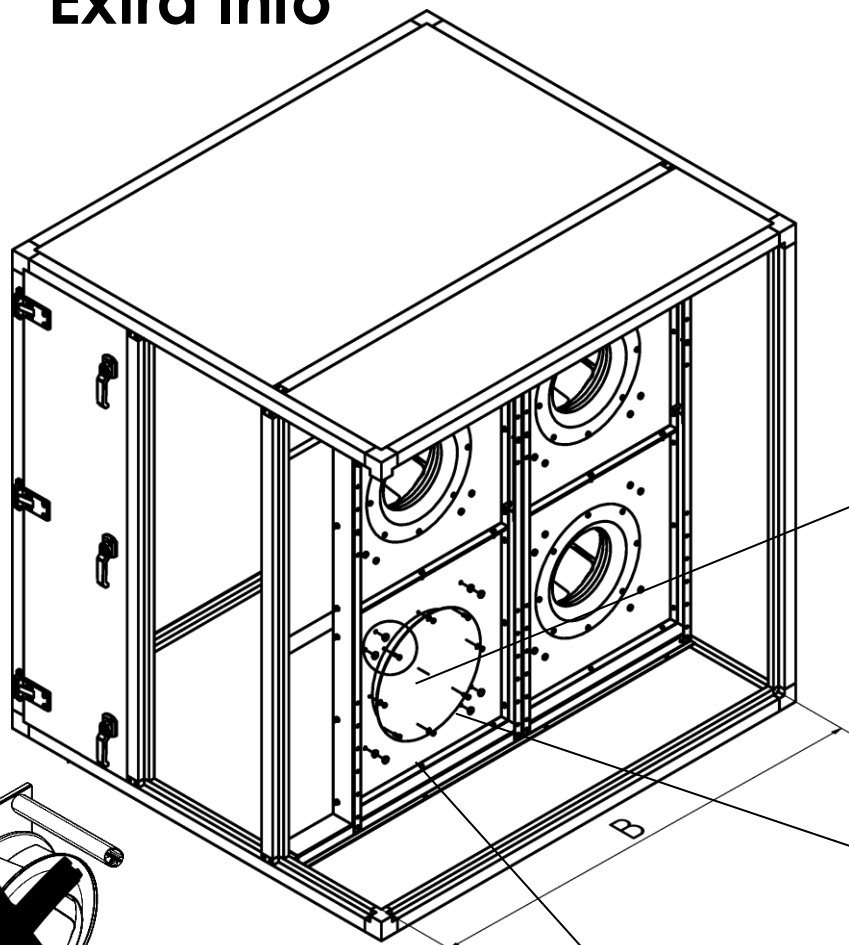


10 & 13 mm



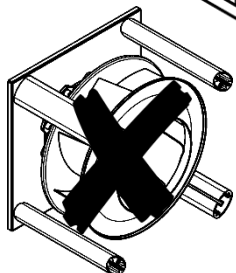
TX 10 & TX 20
TX 30

Extra Info

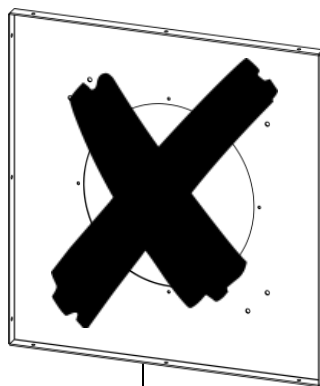


Q/R

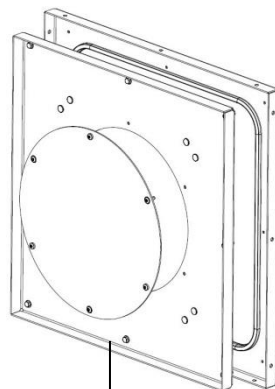
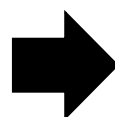
N/O



Optional

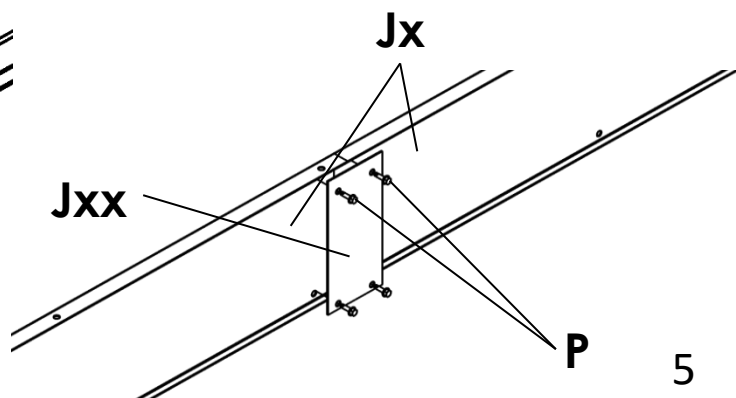
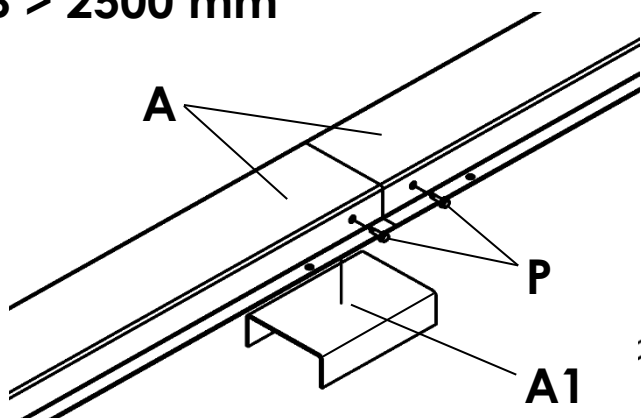


D

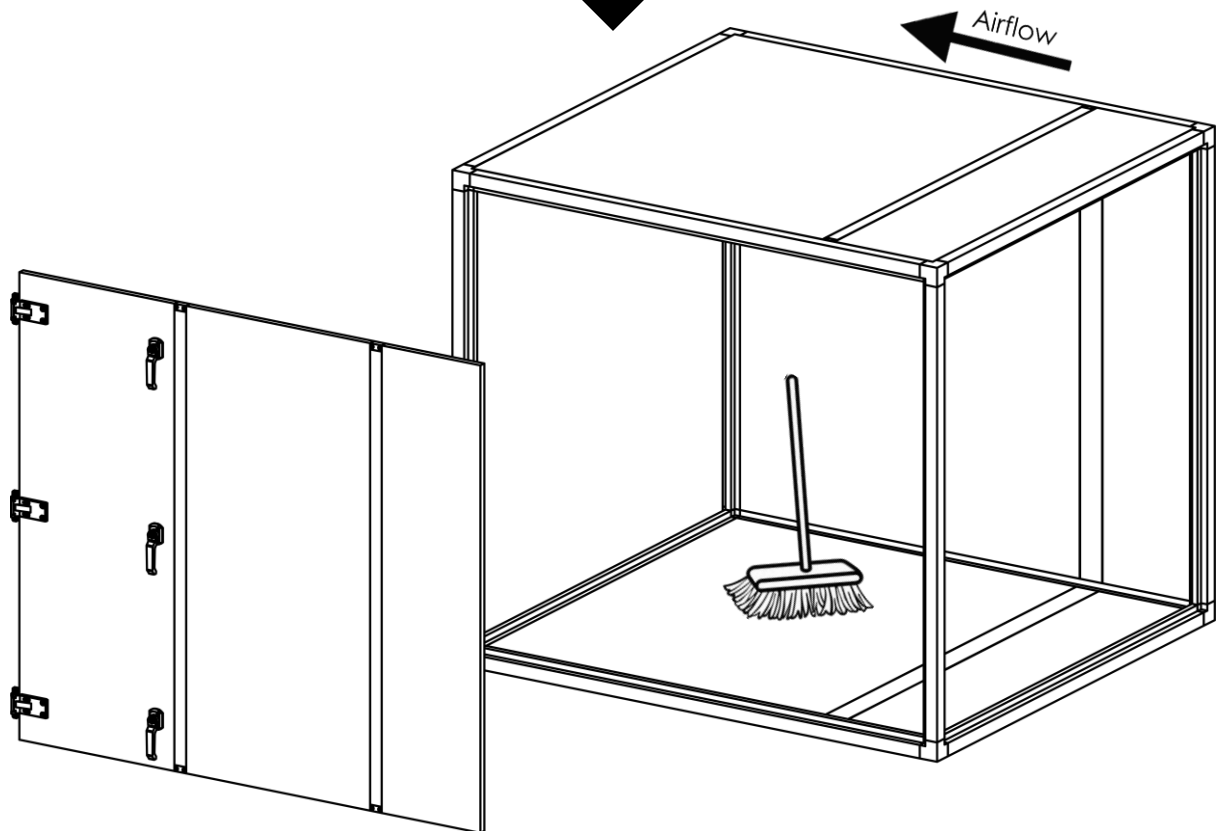
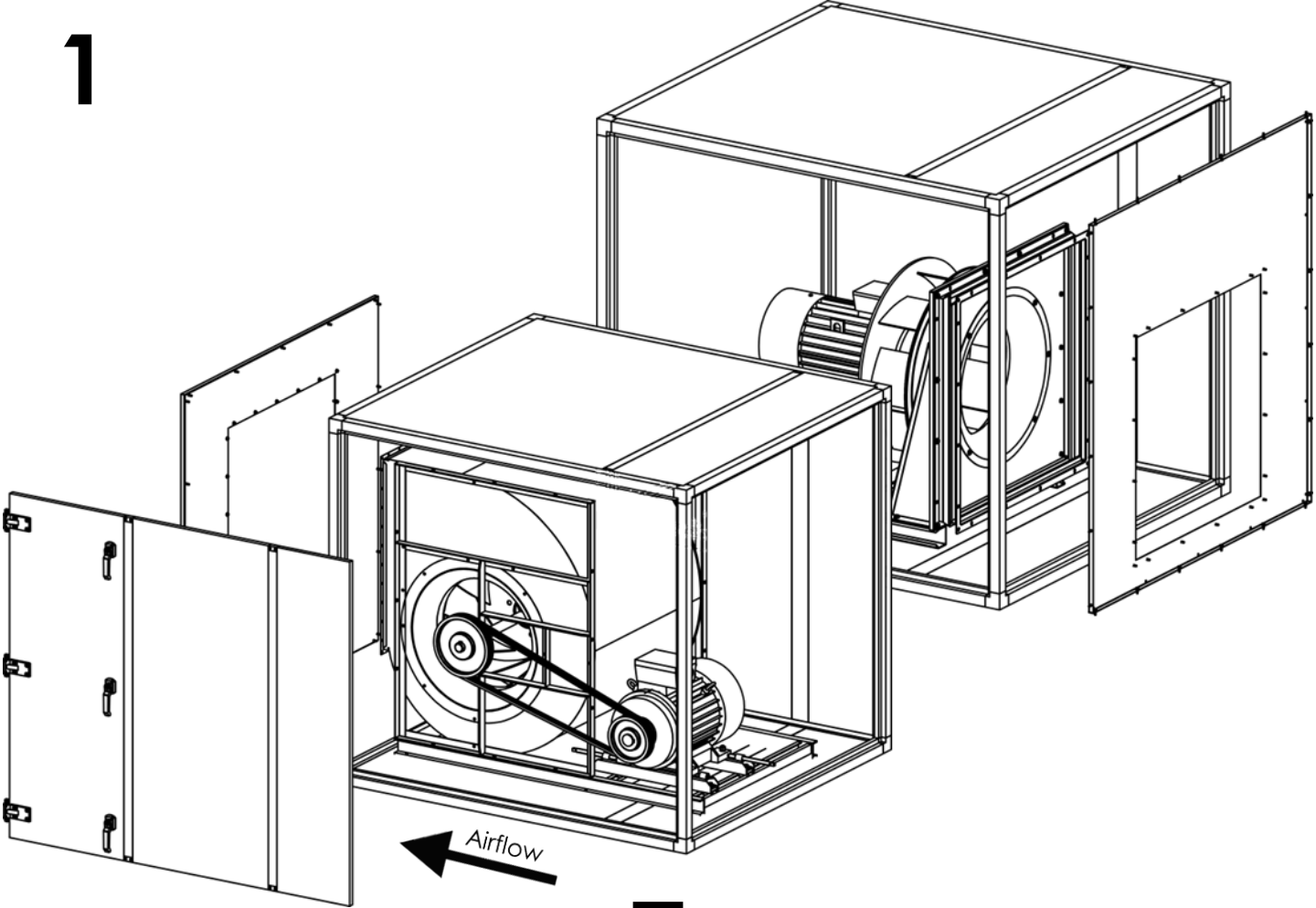


V7

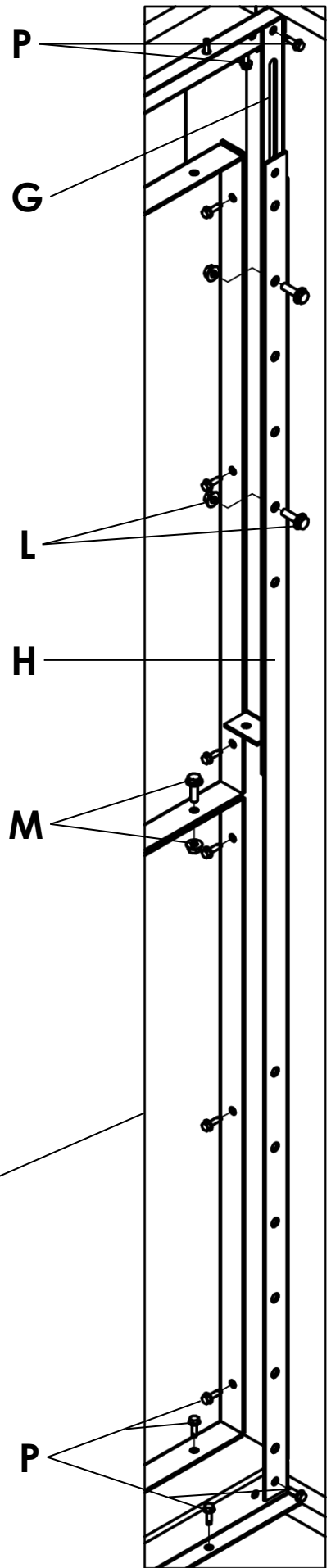
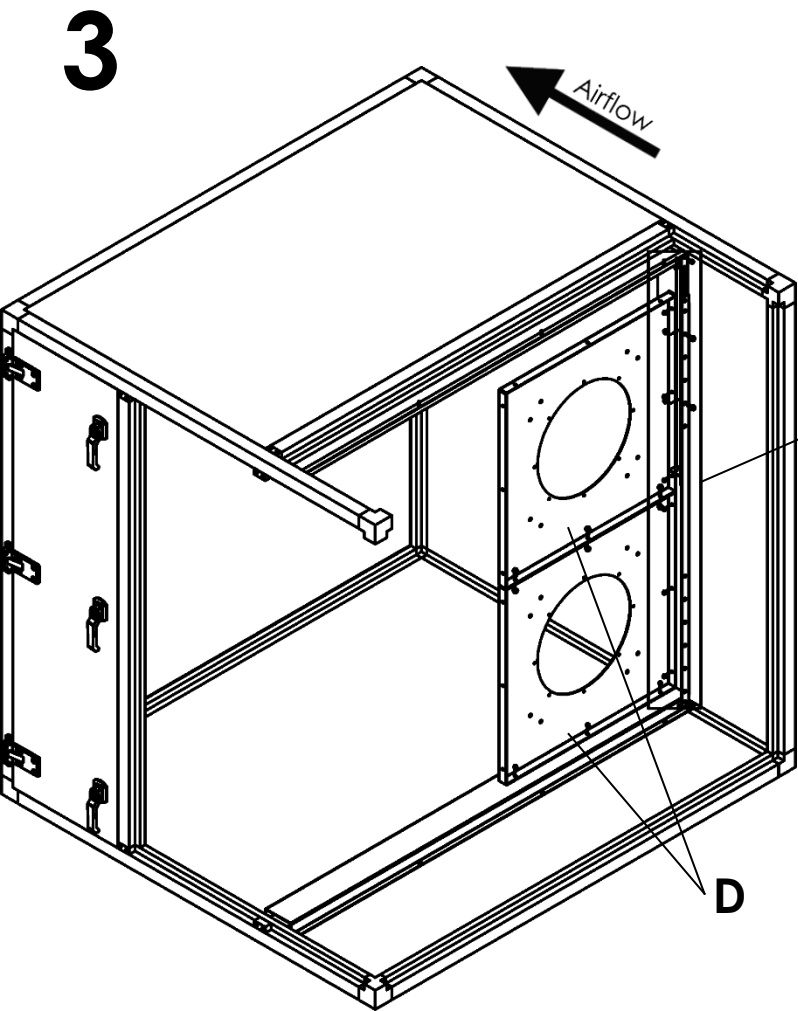
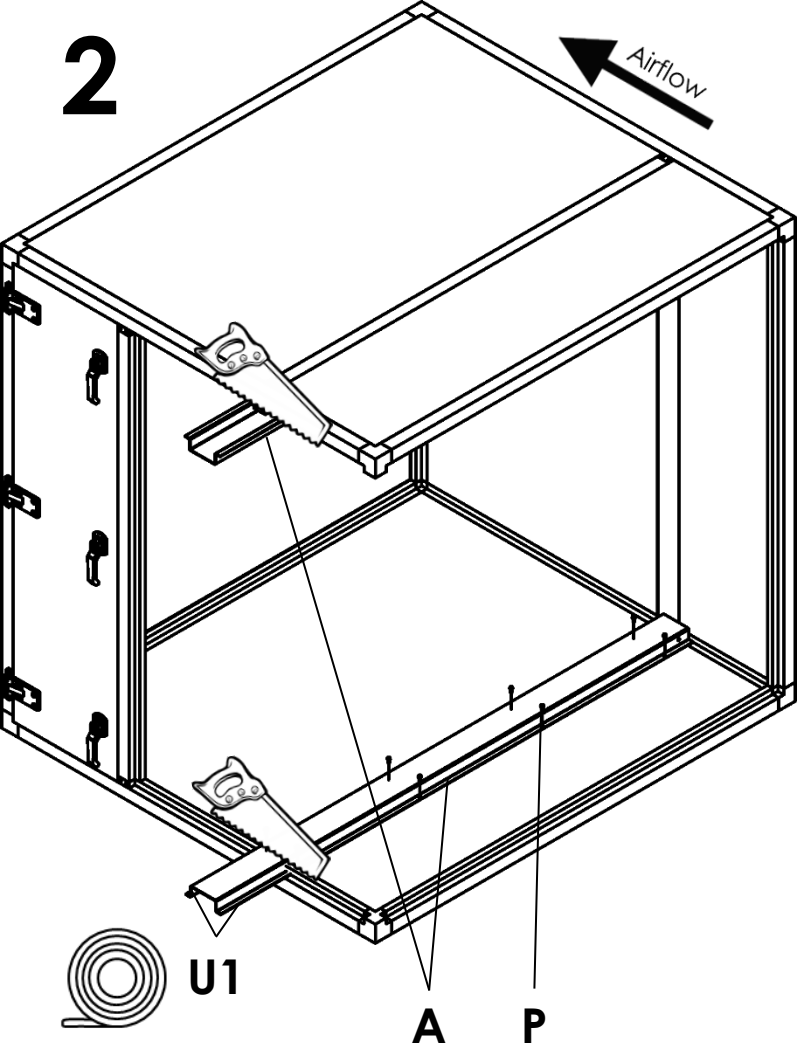
$B > 2500 \text{ mm}$

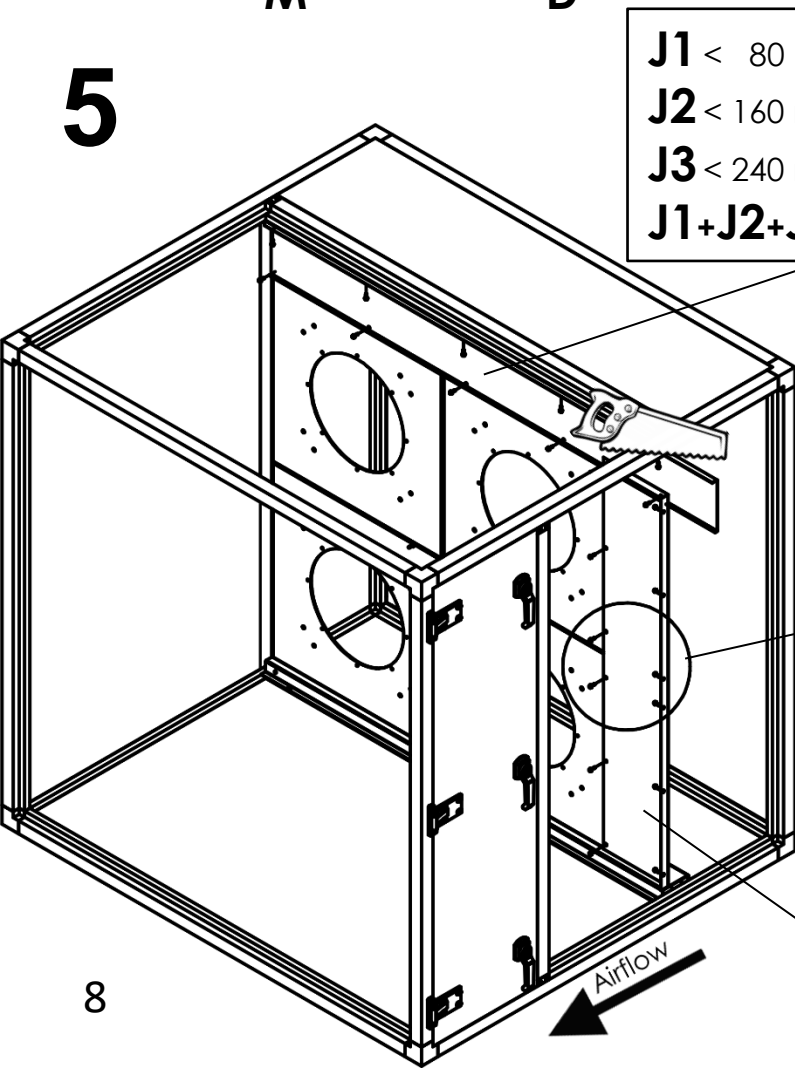
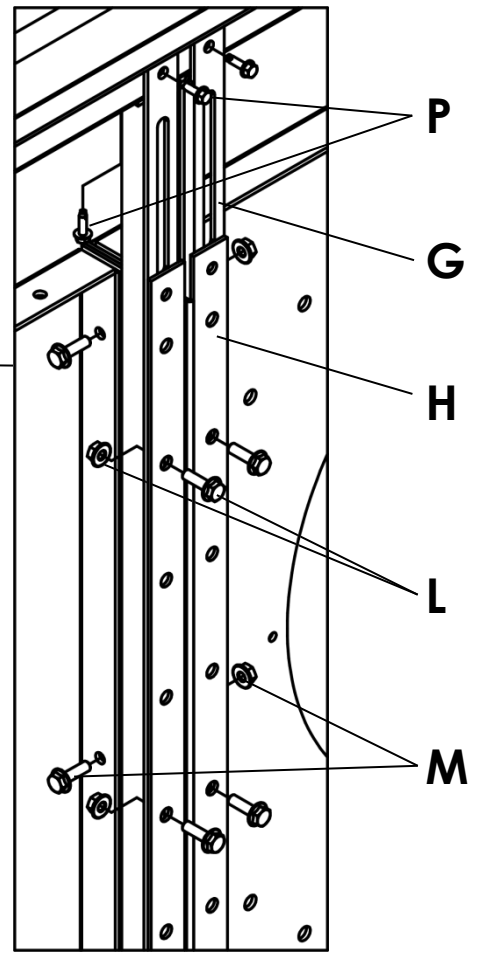
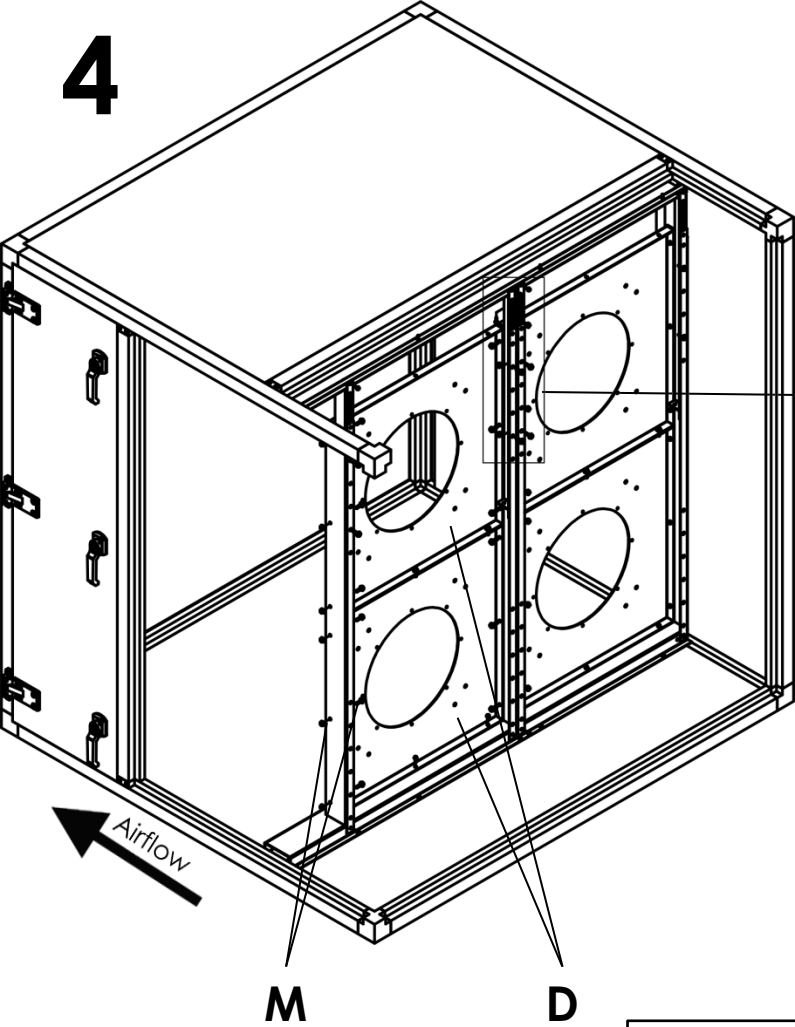


1

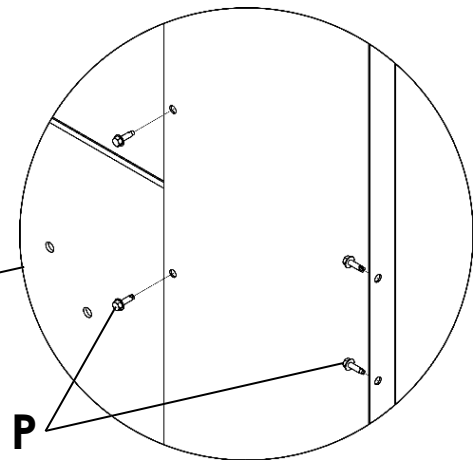
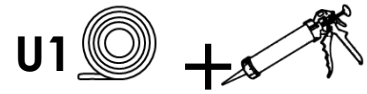


6

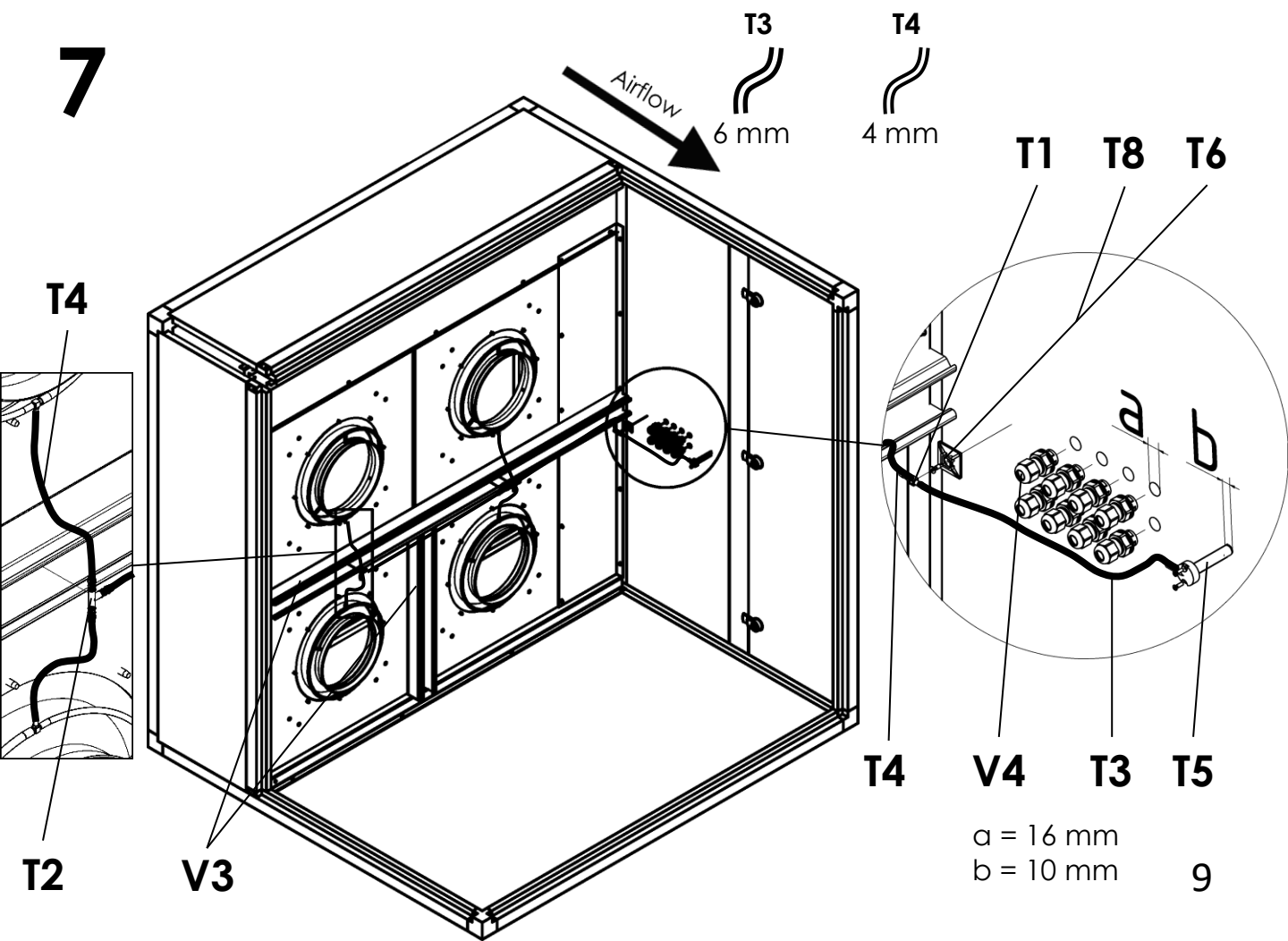
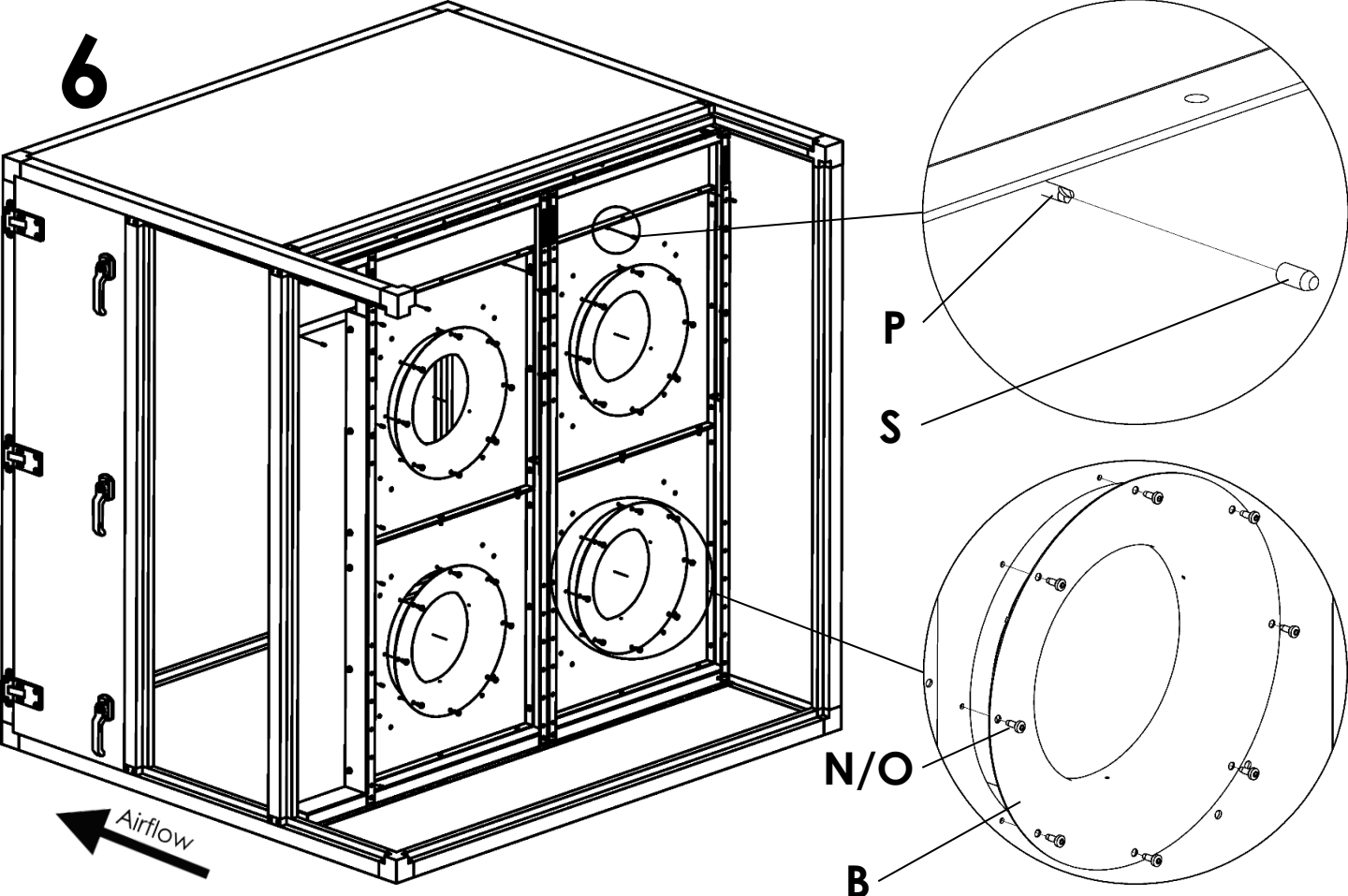




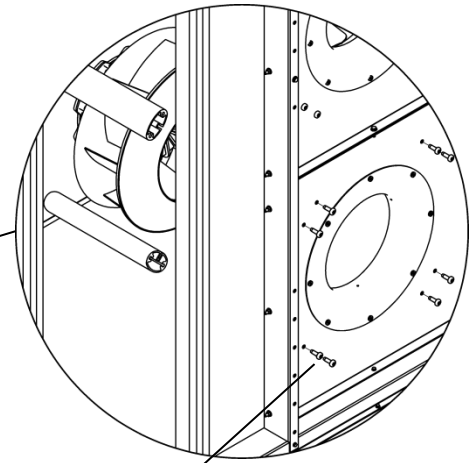
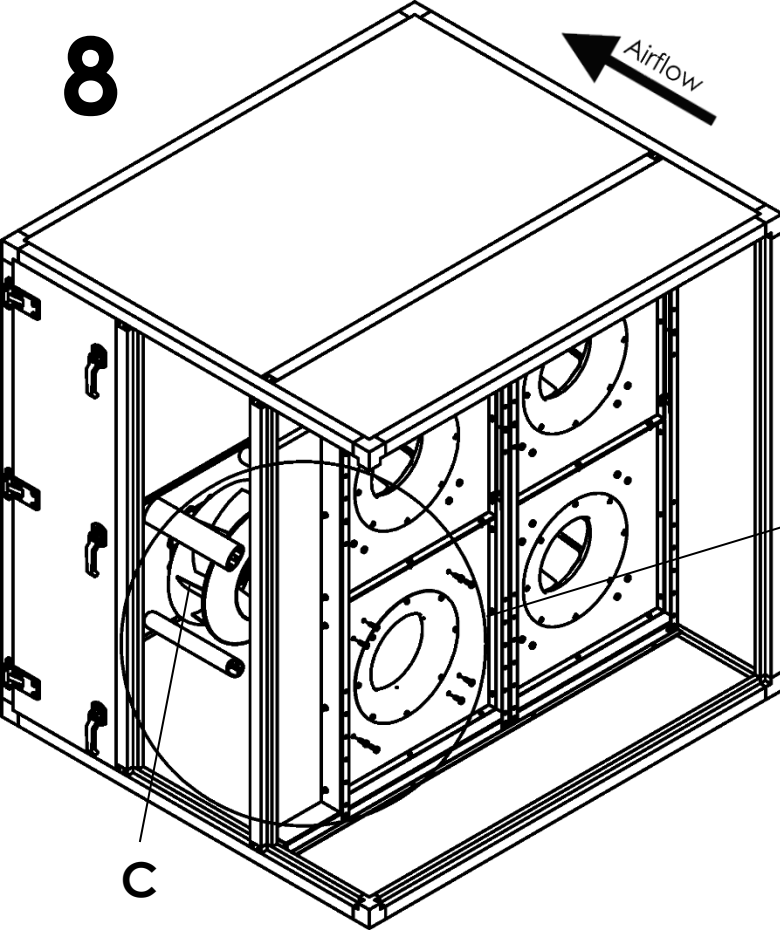
J1 < 80 mm
J2 < 160 mm
J3 < 240 mm
J1+J2+J3 < 500 mm



I1 < 80 mm
I2 < 160 mm
I3 < 240 mm
I1+I2+I3 < 500 mm



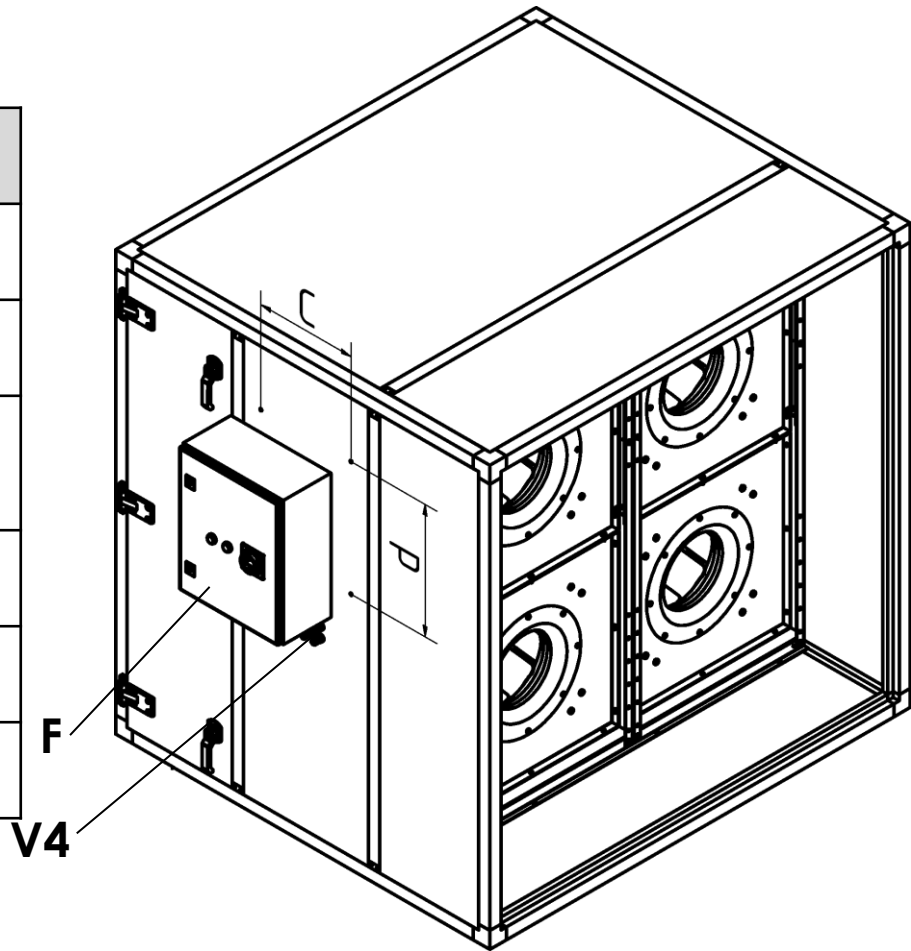
8



N/O

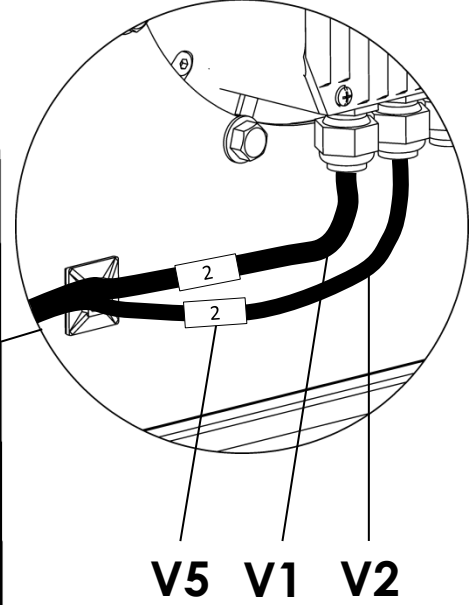
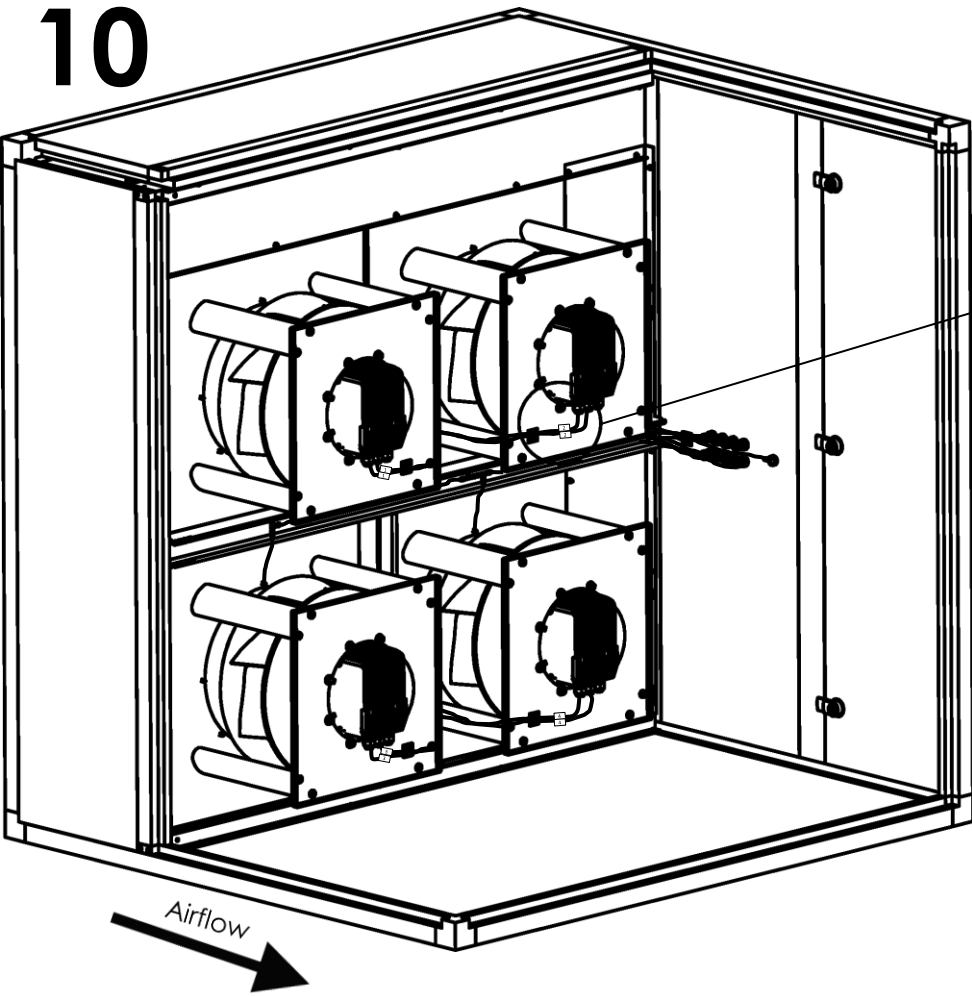
9

Art.-Nr./ Item No.	c [mm]	d [mm]
FG0-02020 FG0-02021	340	340
FG0-02019 FG0-04020	360	460
FG0-04019 FG0-04021 FG0-06020	460	460
FG0-09021 FG0-09021	560	760
FG0-06019 FG0-06021	460	660
FG0-12020 FG0-12021	560	960



10

10

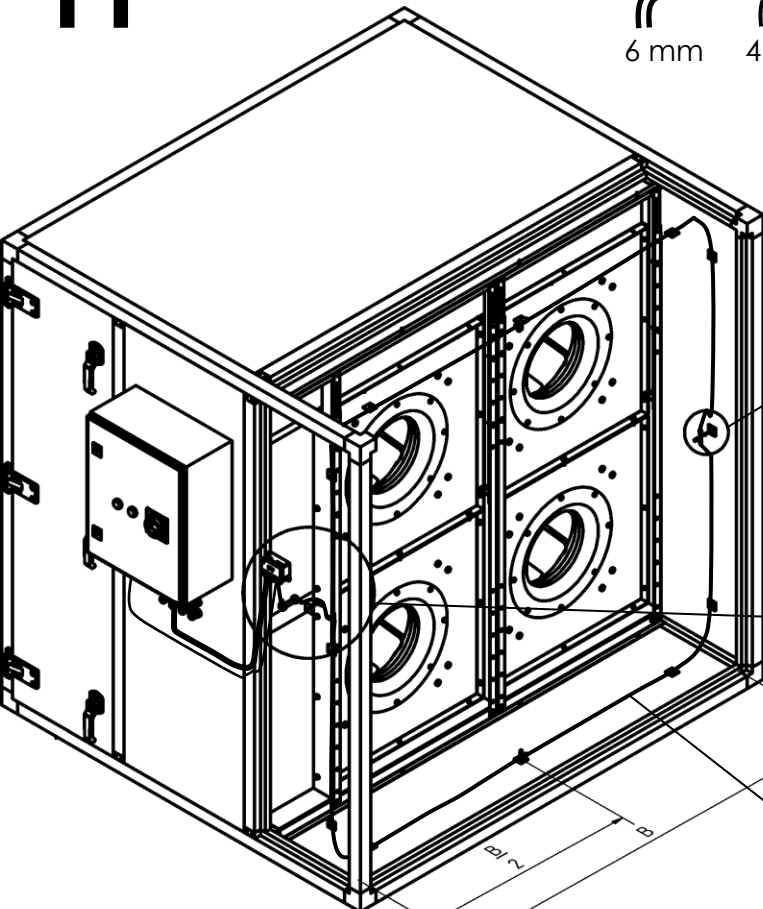


V5 V1 V2



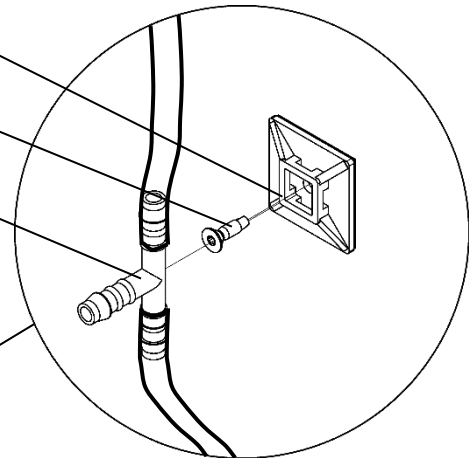
4 G 1,5 mm² 12 x 0,25 mm²
4 G 2,5 mm²

11



T3 T4
6 mm 4 mm

T6
T8
T2



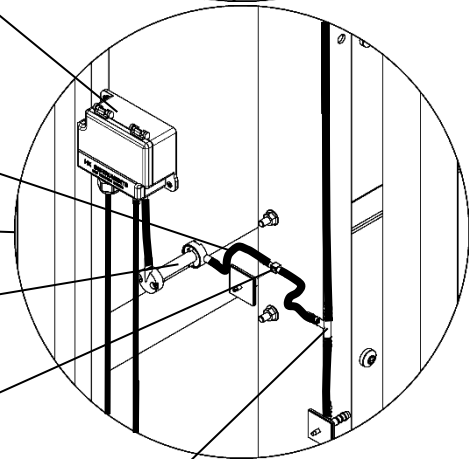
V6

T3

T5

T1

T4



T2

11

