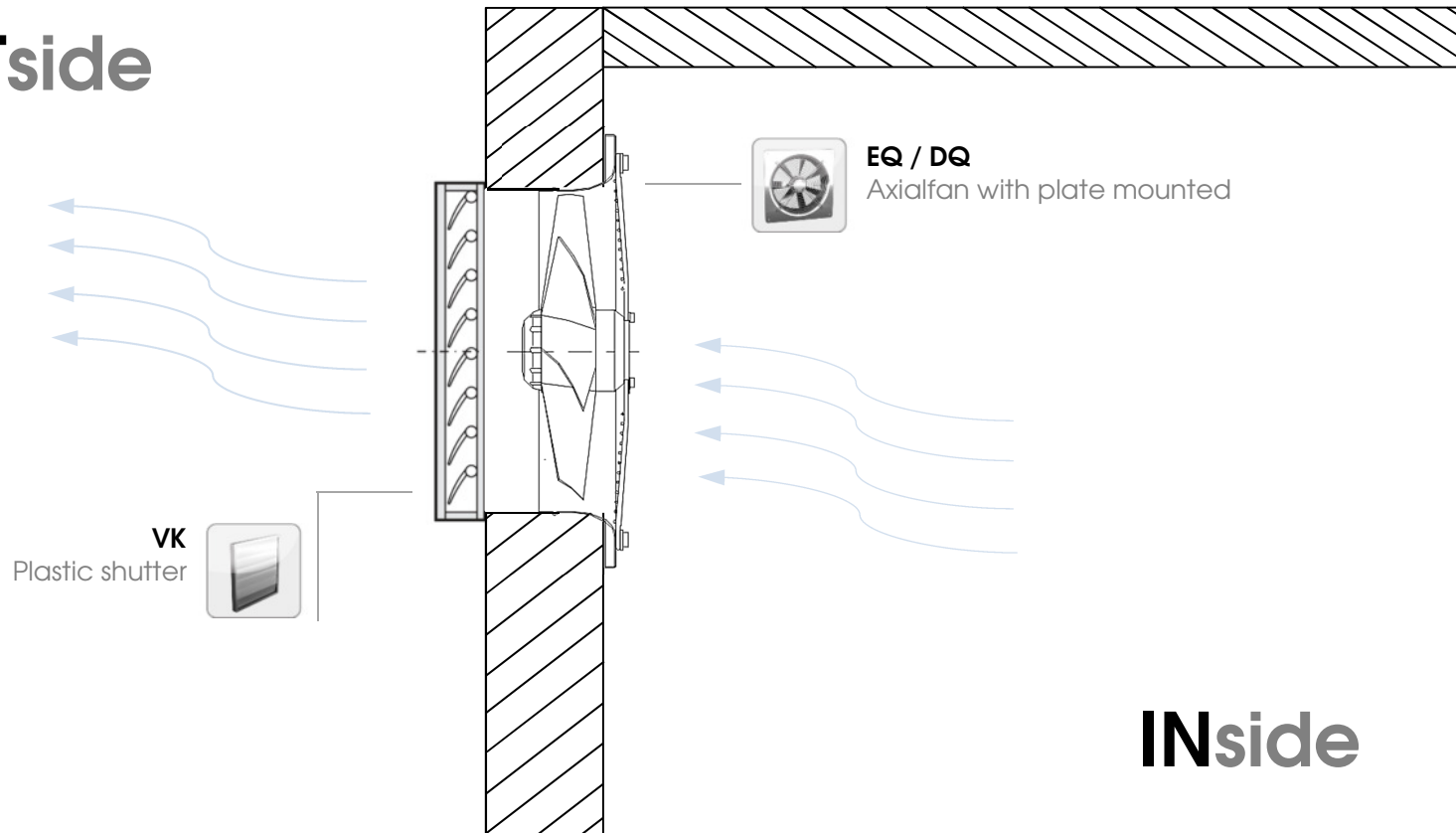


OUTside



INSide

Another possible accessories:



BG
Protection guard
Air intake grille
BG 1000



GS
On/OFF-switch
(230V / 400V)



RE / RTE / RTD
Control unit
(5-Step)
(230V / 400V)



ED
Control unit
(stepless)
(230V)

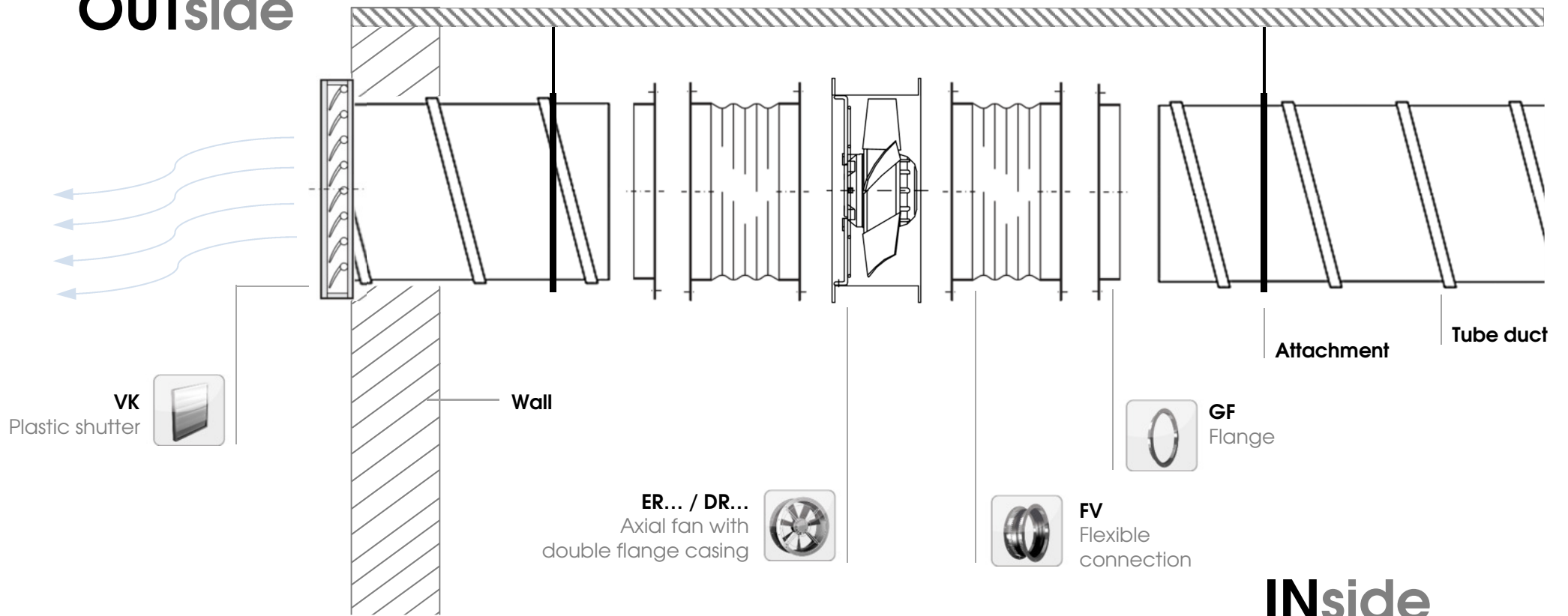


TE / TD
Transformer,
5-step (in bulk)
(230V / 400V)



S5
5 step switch
(in bulk)
(230V / 400V)

OUTside



INside

Another possible accessories:



MKA
Feet
1 pair



BG
Protection guard



GS
ON/OFF-switch
(230V / 400V)



RE / RTE / RTD
Control unit
(5 steps)
(230V / 400V)



ED
Control unit
(stepless)
(230V)



TE / TD
Transformer
5 step (in bulk)
(230V / 400V)



S5
5 step switch
(in bulk)
(230V / 400V)