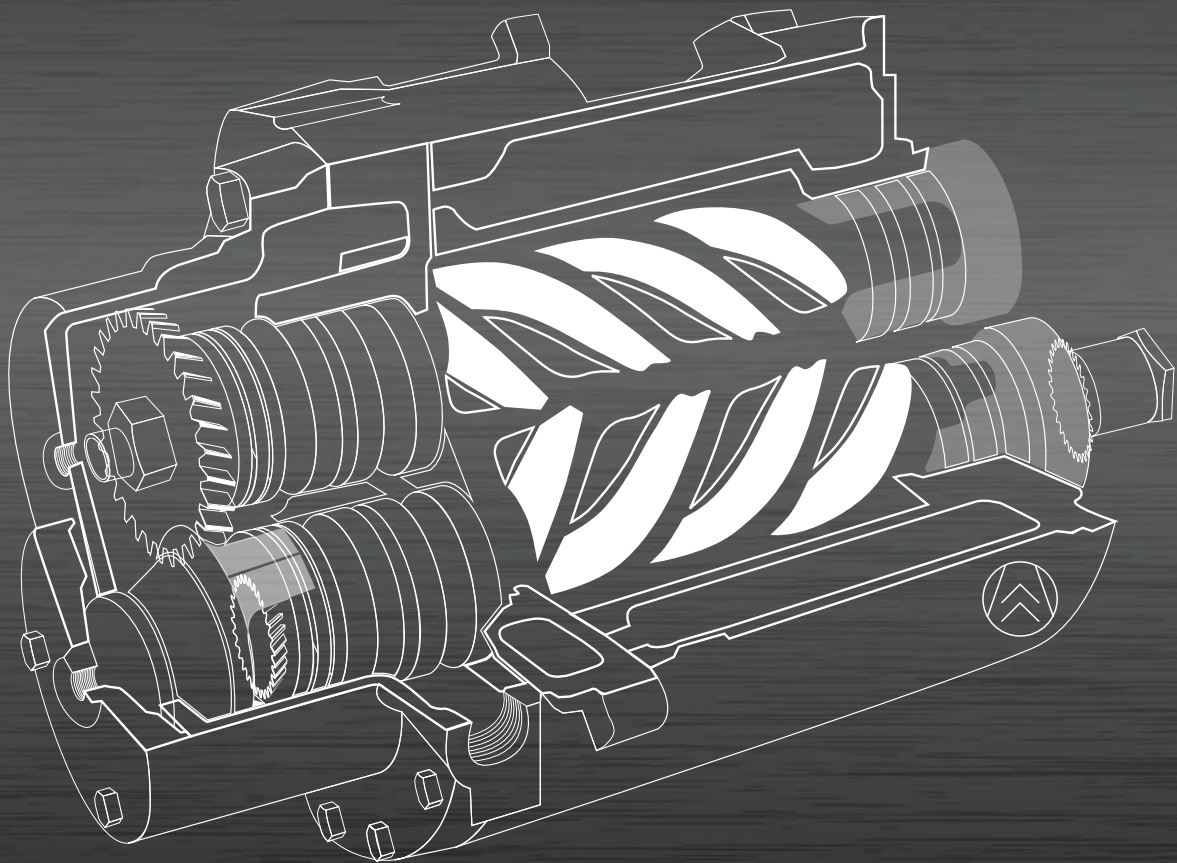


CENTRIFUGAL FANS WITH FREE RUNNING IMPELLER
FOR COMPRESSOR COOLING



The Rosenberg Group

Air conditioning and ventilation technology
is our world



Air is our element – **moving it intelligently and efficiently** is our passion.

Since 1981 we have been developing and producing adjustable external rotor motors, fans and air handling units.

Established

1981

Employees

350 in Germany
Approx. 1,400 worldwide

Production sites

Germany, Hungary, Czech Republic,
Italy, France, China, Slovakia

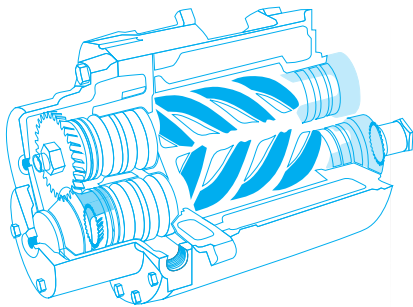
**Development centres
(certified laboratory)**

Germany, France,
Hungary and China

**Subsidiaries
and Partners**

ROX Klimatechnik GmbH,
ECOFIT, ETRI, Airtècnics





Compressor Cooling

Gas compression for the generation of compressed air produces heat, which must be dissipated to protect the unit. In sound-insulated screw compressors, energy-efficient radial fans from Rosenberg ensure the necessary cooling air. Normally, the waste heat is discharged into the open air via ducts. Alternatively it can be integrated into a recirculation or heat recovery system, especially in cold weather.



DKHM

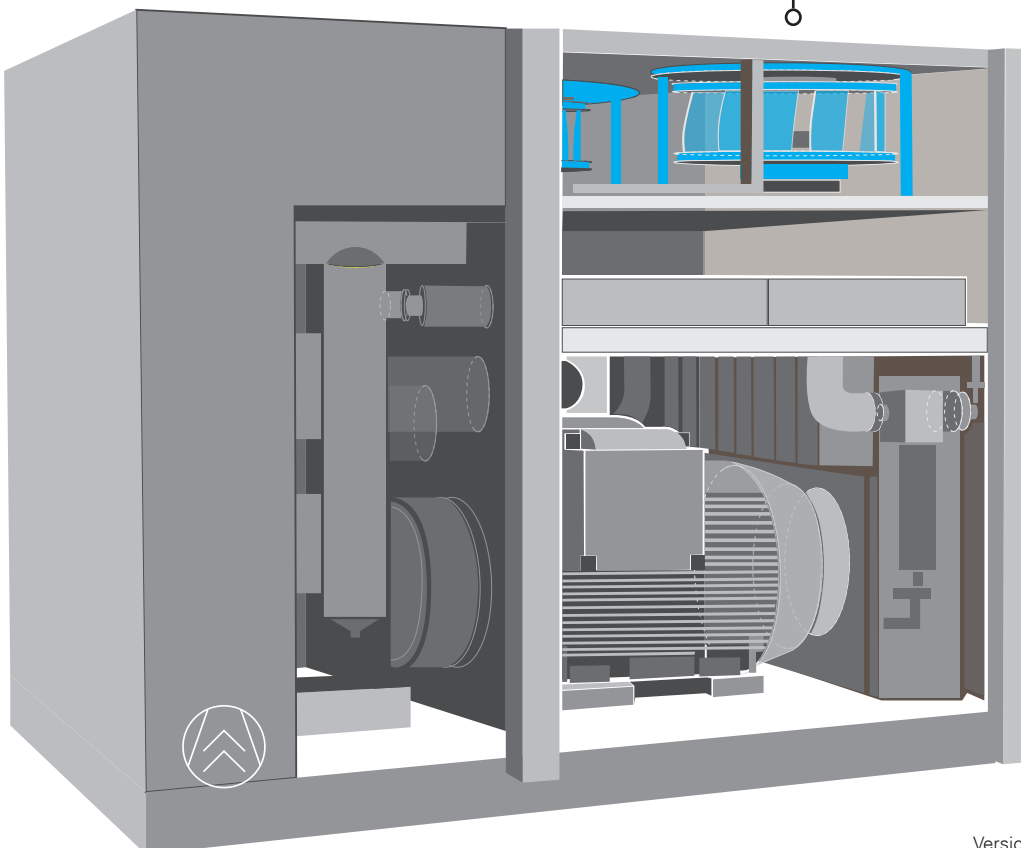


DKHR
Notice: Illustration with cone

Centrifugal Fans Type: DKHM / DKHR

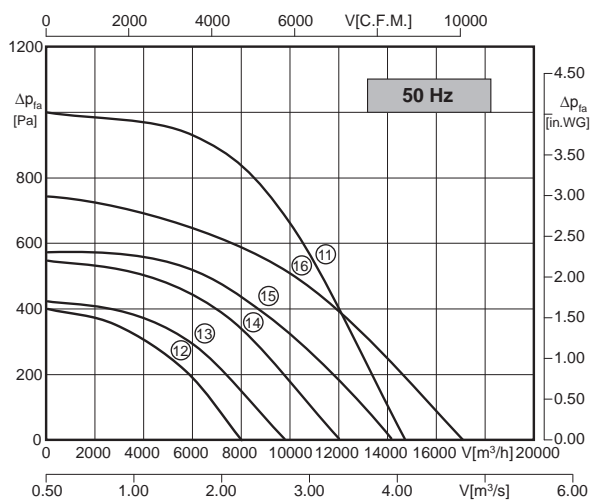
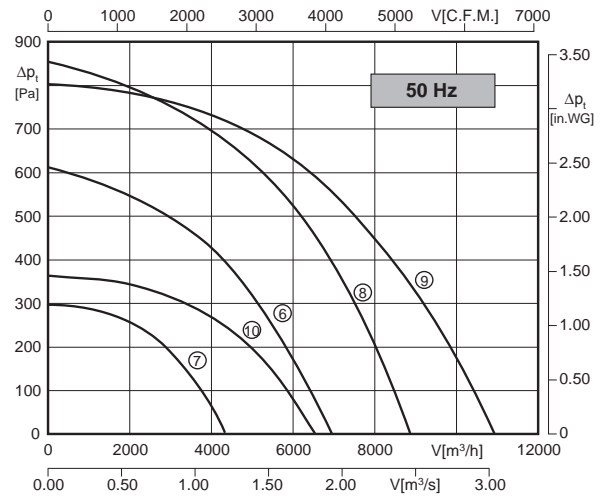
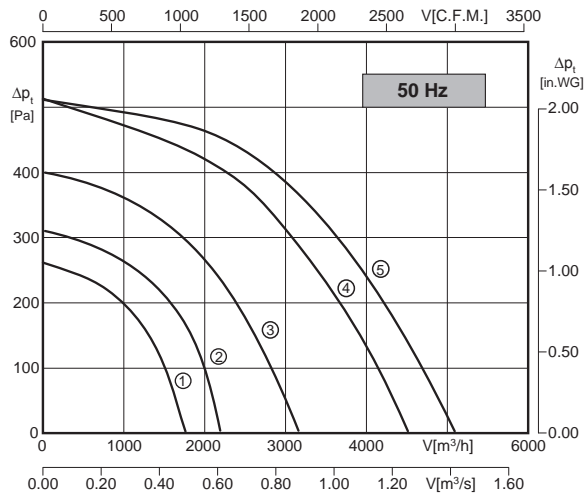
- With robust asynchronous external rotor motor
- Max. temperature of flow medium up to 80°C possible
- backward curved high efficiency impeller
- available as motor-impeller unit (DKHR) or ready-to-install modules (DKHM).
- Compact, space saving design
- Air volume up to approx. 15,000 m³/h (more power on request)
- Total pressure up to 1,000 Pa possible
- Very low noise

Application field: compressor cooling



Centrifugal fans with free running impeller

Type: DKHM / DKHR

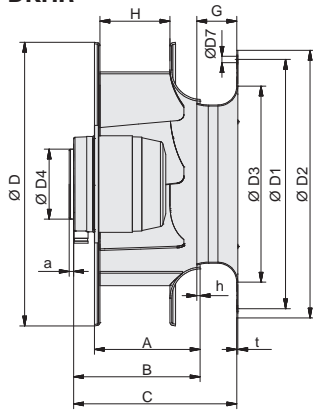


DKH

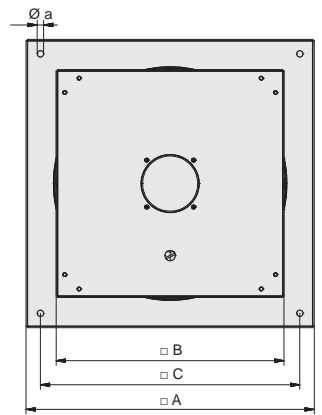
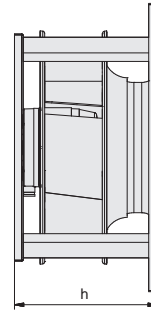
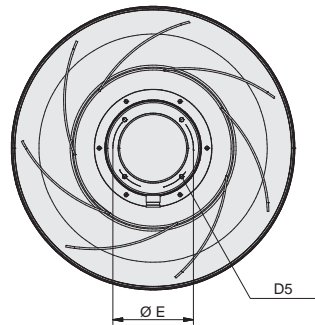
No.	Size	Fan Type	U [V]	f [Hz]	P [kW]	n [min ⁻¹]	I _N [A]	Lw _A [dB(A)]	FMT [°C]
1	280	DKH_280-4SB.090.4FF	400V	50	0,13	1425	0,36	64	80
2	315	DKH_315-4SB.090.4EC	400V	50	0,2	1380	0,43	67	70
3	355	DKH_355-4SB.100.5DF	400V	50	0,29	1310	0,62	74	80
4	400	DKH_400-4SB.112.5FA	400V	50	0,54	1370	1,1	74	70
5	400	DKH_400-4SB.140.5HA	400V	50	0,65	1385	1,4	76	70
6	450	DKH_450-4SB.140.6FA	400V	50	1,05	1350	2,0	79	80
7	450	DKH_450-6SB.125.5HA	400V	50	0,38	945	1,1	70	80
8	500	DKH_500-4SB.140.6LA	400V	50	1,64	1390	3,2	83	80
9	500	DKH_500-4SB.180.6LA	400V	50	1,92	1370	3,37	-	80
10	500	DKH_500-6SB.140.6FA	400V	50	0,57	940	1,3	76	80
11	560	DKH_560-4SB.180.7KF	400V	50	3,15	1410	5,8	89	80
12	560	DKH_560-6SB.160.6FA	400V	50	0,71	840	1,55	-	80
13	560	DKH_560-6SB.180.6HF	400V	50	0,93	905	1,95	78	80
14	630	DKH_630-6SB.160.6LA	400V	50	1,34	890	2,65	77	70
15	630	DKH_630-6SB.224.7NA	400V	50	1,91	950	4,25	81	80
16	710	DKH_710-6SB.200.7NA	400V	50	2,6	900	5,1	85	80

Notice: special voltage possible. Measurement according to ISO 13347-3. The free-outlet sound power level L_{w(A)B} is depicted at V=0,5 *V_{max}.

DKHR



DKHM



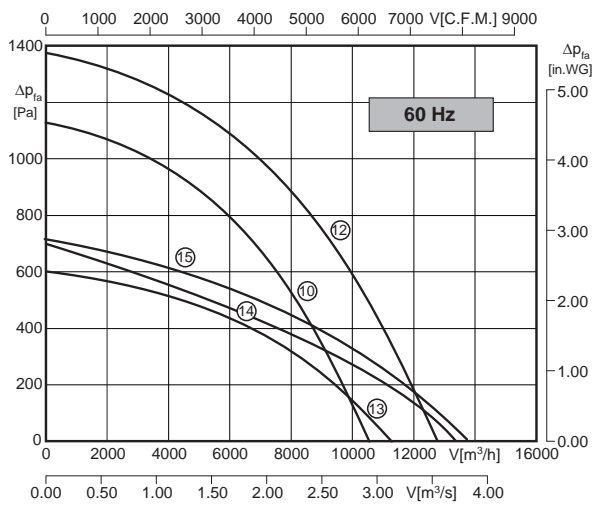
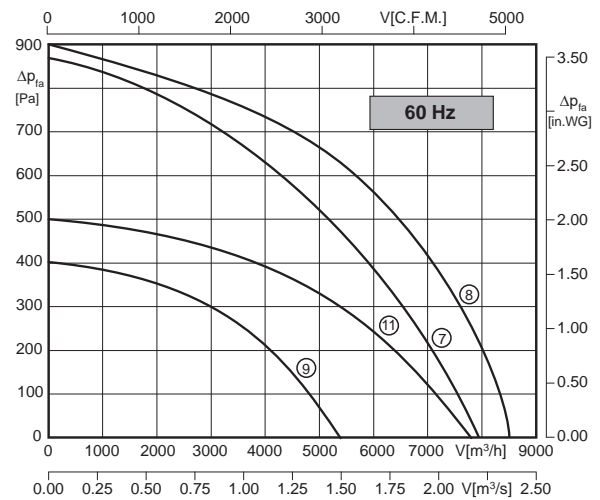
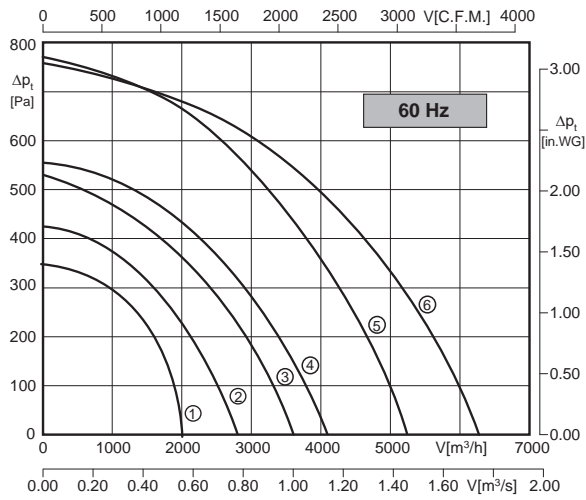
Fan Type	A	B	C	H	D	a	D4	D5	E	h	D3	D2	D1	D7	G	t
DKHR 280-4SB.090.4FF	131	158	200	90	318	2,5	75	M6x10	90	3,6	220	307	286	9*	45	1,5
DKHM 280-4SB.090.4FF	430	320	390							215						
DKHR 315-4SB.090.4EC	136	163	210	90	360	2,5	75	M6x10	90	4	248	348	320	9*	51	1,5
DKHM 315-4SB.090.4EC	500	360	450			11				225						
DKHR 355-4SB.100.5DF	151	181	233	100	405	6,5	100	M6x12	115	4,5	280	382	356	11*	57	1,5
DKHM 355-4SB.100.5DF	500	395	450			11				248						
DKHR 400-4SB.112.5FA	170	198	256	112	455	6,5	100	M6x12	115	5,2	313	422	395	11**	63	2
DKHM 400-4SB.112.5FA	500	420	450			11				271						
DKHR 450-4SB.140.6FA	204	244	310	140	510	6	140	M10x20	162	5,9	352	464	438	11**	72	2
DKHM 450-4SB.140.6FA	630	535	580			14				325						
DKHR 450-6SB.125.5HA	189	217	283	125	510	6,5	100	M6x12	115	5,9	352	464	438	11**	72	2
DKHM 450-6SB.125.5HA	630	535	580			14				298						
DKHR 500-4SB.140.6LA	210	250	324	140	570	6	140	M10x20	162	6,5	396	519	490	11**	80	2
DKHM 500-4SB.140.6LA	700	585	650			14				344						
DKHR 500-4SB.180.6LA	250	290	364	180	570	6	140	M10x20	162	6,5	396	519	490	11**	80	2
DKHM 500-4SB.180.6LA	700	585	650			14				384						
DKHR 500-6SB.140.6FA	210	250	324	140	570	6	140	M10x20	162	6,5	396	519	490	11**	80	2
DKHM 500-6SB.140.6FA	700	585	650			14				344						
DKHR 560-4SB.180.7KF	257	304	387	180	635	7	160	M12x20	190	7,3	444	564	541	11**	90	2
DKHM 560-4SB.180.7KF	800	625	750			14				402						
DKHR 560-6SB.160.6FA	237	277	360	160	635	6	140	M10x20	162	7,3	444	564	541	11**	90	2
DKHM 560-6SB.160.6FA	800	625	750			14				375						
DKHR 560-6SB.180.6HF	257	297	380	180	635	6	140	M10x20	162	7,3	444	564	541	11**	90	2
DKHM 560-6SB.180.6HF	800	625	750			14				395						
DKHR 630-6SB.160.6LA	248	286	378	160	716	6	140	M10x20	162	8,2	505	640	610	13**	100	2,5
DKHM 630-6SB.160.6LA	800	700	750			14				396						
DKHR 630-6SB.224.7NA	312	357	449	224	716	7	160	M12x20	190	8,2	505	640	610	13**	100	2,5
DKHM 630-6SB.224.7NA	800	700	750			14				469						
DKHR 710-6SB.200.7NA	301	344	450	200	817	7	160	M12x20	190	9,2	575	710	674	13**	115	2,5
DKHM 710-6SB.200.7NA	900	810	850			18				470						

*6 x 60° / **8 x 45°

All dimensions in mm / individual adjustment possible

Centrifugal fans with free running impeller

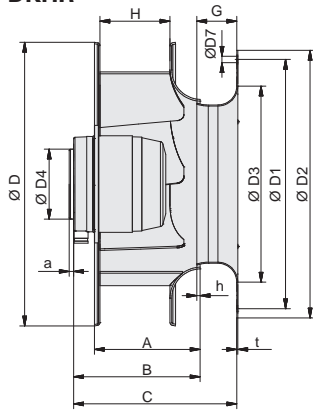
Type: DKHM / DKHR



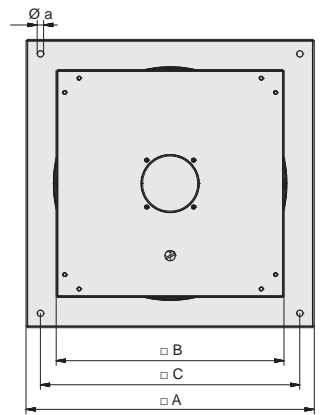
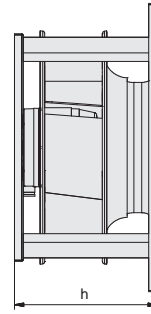
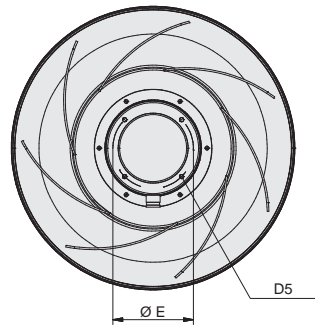
No.	Size	Fan Type	U [V]	f [Hz]	P [kW]	n [min ⁻¹]	I _n [A]	Lw _A [dB(A)]	FMT [°C]
1	280	DKH_280-4SB.090.4FF	460	60	0,19	1690	0,38	68	80
2	315	DKH_315-4SB.100.4FF	460	60	0,29	1580	0,48	71	70
3	355	DKH_355-4SB.100.5DF	460	60	0,45	1520	0,71	77	80
4	355	DKH_355-4SB.112.5FA	460	60	0,51	1660	0,90	76	80
5	400	DKH_400-4SB.112.6DF	460	60	0,87	1655	1,59	78	80
6	400	DKH_400-4SB.140.6FA	460	60	1,07	1680	1,85	80	80
7	450	DKH_450-4SB.125.6FA	460	60	1,24	1575	2,40	81	70
8	450	DKH_450-4SB.140.6HF	460	60	1,75	1660	2,80	82	80
9	450	DKH_450-6SB.125.6DF	460	60	0,52	1100	1,10	74	80
10	500	DKH_500-4SB.140.6LA	460	60	2,68	1630	3,95	86	70
11	500	DKH_500-6SB.140.6FA	460	60	0,83	1090	1,60	77	80
12	560	DKH_560-4SB.140.7NA	460	60	3,91	1645	6,30	90	70
13	560	DKH_560-6SB.180.6LA	460	60	1,55	1070	2,85	81	80
14	630	DKH_630-6SE.155.6LA	460	60	1,80	1045	2,85	82	70
15	630	DKH_630-6SE.155.7KF	460	60	1,83	1115	3,40	83	80

Notice: special voltage possible. Measurement according to ISO 13347-3. The free-outlet sound power level L_{w(A)B} is depicted at V=0,5 * V_{max}.

DKHR



DKHM



Fan Type	A	B	C	H	D	a	D4	D5	E	h	D3	D2	D1	D7	G	t
DKHR 280-4SB.090.4FF	131	158	200	90	318	2,5	75	M6x10	90	3,6	220	307	286	9*	45	1,5
DKHM 280-4SB.090.4FF	430	320	390			11				215						
DKHR 315-4SB.100.4FF	143	173	220	100	360	2,5	75	M6x10	90	4	248	348	320	9*	51	1,5
DKHM 315-4SB.100.4FF	500	360	450			11				235						
DKHR 355-4SB.100.5DF	151	181	233	100	405	6,5	100	M6x12	115	4,6	280	382	356	11**	57	1,5
DKHM 355-4SB.100.5DF	500	395	450			11				248						
DKHR 355-4SB.112.5FA	163	193	246	112	405	6,5	100	M6x12	115	4,6	280	382	356	11**	57	1,5
DKHM 355-4SB.112.5FA	500	395	450			11				260						
DKHR 400-4SB.112.6DF	170	210	267	112	455	6	140	M10x20	162	5,2	313	422	395	11**	63	2
DKHM 400-4SB.112.6DF	500	420	450			11				282						
DKHR 400-4SB.140.6FA	198	238	295	140	455	6	140	M10x20	162	5,2	313	422	395	11**	63	2
DKHM 400-4SB.140.6FA	500	420	450			11				310						
DKHR 450-4SB.125.6FA	189	229	295	125	510	6	140	M10x20	162	5,9	352,4	464	438	11**	72	2
DKHM 450-4SB.125.6FA	630	535	580			14				310						
DKHR 450-4SB.140.6HF	204	244	310	140	510	6	140	M10x20	162	5,9	352,4	464	438	11**	72	2
DKHM 450-4SB.140.6HF	630	535	580			14				325						
DKHR 450-6SB.125.6DF	189	229	295	125	510	6	140	M10x20	162	5,9	352,4	464	438	11**	72	2
DKHM 450-6SB.125.6DF	630	535	580			14				310						
DKHR 500-4SB.140.6LA	210	250	324	140	570	6	140	M10x20	162	6,5	396	519	490	11**	80	2
DKHM 500-4SB.140.6LA	700	585	650			14				344						
DKHR 500-6SB.140.6FA	210	250	324	140	570	6	140	M10x20	162	6,5	396	519	490	11**	80	2
DKHM 500-6SB.140.6FA	700	585	650			14				344						
DKHR 560-4SB.140.7NA	217	264	347	140	635	7	160	M12x20	190	7,3	444	564	541	11**	90	2
DKHM 560-4SB.140.7NA	800	625	750			14				362						
DKHR 560-6SB.180.6LA	257	297	380	180	635	6	140	M10x20	162	7,3	444	564	541	11**	90	2
DKHM 560-6SB.180.6LA	800	625	750			14				395						
DKHR 630-6SE.155.6LA	257	304	382	155	668	6	140	M10x20	162	6,3	514	560	540	9*	84	2
DKHM 630-6SE.155.6LA	800	625	750			14				397						
DKHR 630-6SE.155.7KF	257	311	389	155	668	7	160	M12x20	190	6,3	514	560	540	9*	84	2
DKHM 630-6SE.155.7KF	800	625	750			14				404						

*6 x 60° / **8 x 45°

All dimensions in mm / individual adjustment possible

Rail technology

Rosenberg is one of the world's leading brands in railway technology. Rosenberg OEM Products are not only installed to air-condition driver's cabins and passenger compartments but also to cool switchboards, drive inverters and many other components.



Renewable Energies

Modified Rosenberg OEM Products offer an optimal solution for a great number of applications in wind power plants. Our Products ensure the steady cooling for generators, switchboards, transformers, converters and many other components.



Transformer cooling

Knowledge and experience - Rosenberg has been active in the transformer cooling sector for many years. Due to the close cooperation with well-known manufacturers, numerous fans have already been adapted to the needs of the industry.





Data Centers

Protecting data centers from overheating and humidity is one of the main tasks of fans within this application. Rosenberg OEM products with AC or EC drive guarantee a smooth and failsafe operation of the computer systems in an efficient manner.



Marine

Cruise Ships have a wide range of ventilation needs. Rosenberg OEM Products offer solutions for exhaust ventilation of elevators, restrooms, laundries or battery compartments as well as solutions for the use in HVAC applications dedicated to yachts and cruise ships cabins.



Packaging Industry

In highly complex packaging processes, it is essential to prevent a failure of the entire system. Therefore Rosenberg OEM products are used for cooling to ensure a trouble-free operation of various machines in industrial packaging processes.

Since its foundation in 1981 by Karl Rosenberg the Rosenberg Ventilatoren GmbH has emerged through its development and production of adjustable external rotor motors, fans, air handling units and control technology as an important center for Europe for the ventilation and air conditioning industry in Europe.

Customer-oriented and high-quality production is our top priority. The continuous information flow and a good cooperation between customers and our employees is very important to us to ensure quality and product innovation. Modern perfor-

mance testing, computer-controlled production machines and self-directed work groups are also included as well as the integration of measures for higher quality and environment protection.

At the headquarters in Künzelsau, Rosenberg employ 240 members of staff, with over 1.400 employees worldwide. Further Rosenberg production plants are located in Glaubitz (Germany), Waldmünchen (Germany), Hungary, Czech Republic, Italy, France, Slovakia, Turkey, Mexico and in China.



You can find more information on:

www.rosenberg-gmbh.com

Your contact persons:



Patrick Dörr

+49 (0) 7940 / 142 214
Patrick.Doerr@rosenberg-gmbh.com

Maybachstr. 1/9, D-74653
Künzelsau-Gaisbach



Felix Riedling

+49 (0) 7940 / 142 266
Felix.Riedling@rosenberg-gmbh.com

Maybachstr. 1/9, D-74653
Künzelsau-Gaisbach

Product information:
**AXIAL FANS FOR COOLING
AND AIR HANDLING**



AXIAL FANS

with **F-BLADES**

Type: **AKFD**

Rosenberg axial fans, with improved and noise optimized blades combined with a voltage controlled AC-external rotor motor, form an optimized fan unit in regard to design and air movement.

- Diameters of impeller: 500 - 1000 mm
- Asynchronous external rotor motor
- Mountable in all installation positions
- Motor power up to 2.5 kW
- With 5/6 sickle bladed die cast aluminum impellers
- Noise optimized blade construction
- Terminal box design , alternatively cable lead-out
- Constant high degree of efficiency
- ErP 2015 ready



Rosenberg Ventilatoren GmbH
Maybachstr. 1/9
74653 Künzelsau-Gaisbach
Germany

Fon. +49 (0)7940 / 142-0
Fax. +49 (0)7940 / 142-125
www.rosenberg-gmbh.com
info@rosenberg-gmbh.com

